

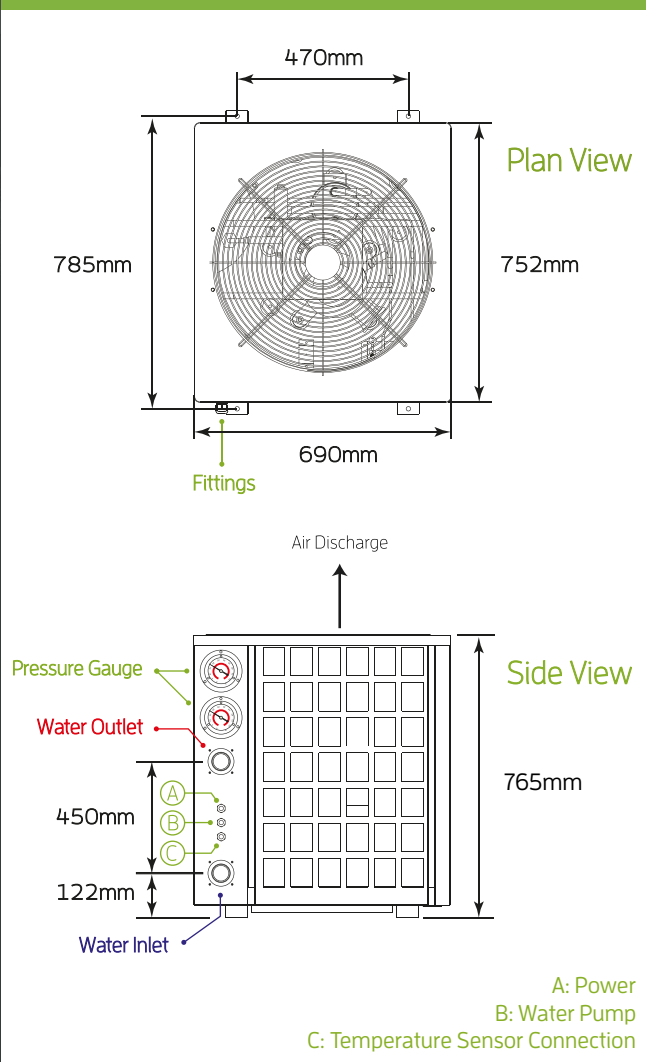
# T-HP105AB

## 10.5KW HOT WATER HEAT PUMP

Heat Pumps are the workhorse of the Tivok Energy Thermal System. Heat Pumps utilise the heat energy in the air to heat water at an energy efficiency greater than 4 times\*<sup>1</sup> that of conventional electric or gas heaters. Not suitable for swimming pool heating.



### TECHNICAL DRAWING



### SPECIFICATIONS

### T-HP105AB

Default Water Temp / Max Water Temp	55°C	60°C
Working Ambient Temperature Range	-15°C~43°C	
Min / Recommended Water Flow Rate	2m <sup>3</sup> /hour	2.5m <sup>3</sup> /hour
Hot Water Yield* <sup>1</sup>	226 L/hour	
Water Pressure Loss / Max Water Pressure	20.2kPa	4.2MPag
Heating Output* <sup>1</sup> / Power Input* <sup>1</sup>	10.5kW	2.55kW
Coefficient of Performance (COP)* <sup>1</sup>	4.12	
Max Current / 55°C Running Current	17.5A	12.5A
Starting Current	63A	
Input Voltage / Frequency / Phase	220-240V-50Hz 1ph	
Heat Pump Unit Dimensions	752×690×765mm	
Packaging Dimensions	840×750×900mm	
Net / Gross Weight	87kg	103kg
Outlet Fittings	DN25 BSP 1" Female	
Noise Level	<55 dB(A)	
Refrigerant	R-410A	
IP Rating	Outdoor Rated IPX4	
Electrical Protection	IEC Protection Class I	
Water Heat Exchanger Material / Type	Copper	Shell/Tube
Compressor Type / Brand* <sup>2</sup>	Rotary	Toshiba
Controller	Multifunction LCD Controller	

**5 YEARS  
PARTS WARRANTY**

