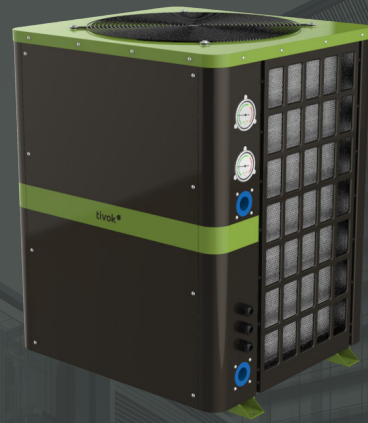


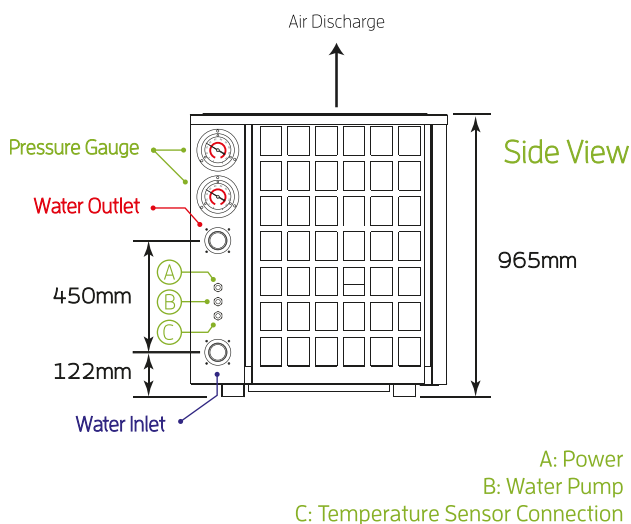
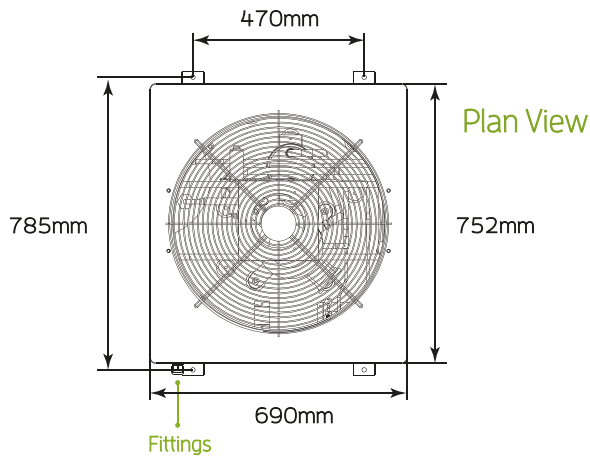
T-HP200AB

20KW HOT WATER HEAT PUMP

Heat Pumps are the workhorse of the Tivok Energy Thermal System. Heat Pumps utilise the heat energy in the air to heat water at an energy efficiency greater than 4 times*¹ that of conventional electric or gas heaters. Not suitable for swimming pool heating.



TECHNICAL DRAWING



SPECIFICATIONS

T-HP200AB

Default Water Temp / Max Water Temp	55°C	60°C
Working Ambient Temperature Range	-15°C~43°C	
Min / Recommended Water Flow Rate	4.1m ³ /hour	5.0m ³ /hour
Hot Water Yield* ¹	408 L/hour	
Water Pressure Loss / Max Water Pressure	20.2kPa	4.2MPag
Heating Output* ¹ / Power Input* ¹	19kW	4.55kW
Coefficient of Performance (COP)* ¹	4.18	
Max Current / 55°C Running Current	11A	7.8A
Starting Current	52A	
Input Voltage / Frequency / Phase	380-415V-50Hz 3ph	
Heat Pump Unit Dimensions	752×690×965mm	
Packaging Dimensions	840×750×1100mm	
Net / Gross Weight	119kg	137kg
Outlet Fittings	DN25 BSP 1" Female	
Noise Level	<57 dB(A)	
Refrigerant	R-410A	
IP Rating	Outdoor Rated IPX4	
Electrical Protection	IEC Protection Class I	
Water Heat Exchanger Material / Type	Copper	Shell/Tube
Compressor Type / Brand* ²	Scroll	Sanyo
Controller	Multifunction LCD Controller	

**5 YEARS
PARTS WARRANTY**

