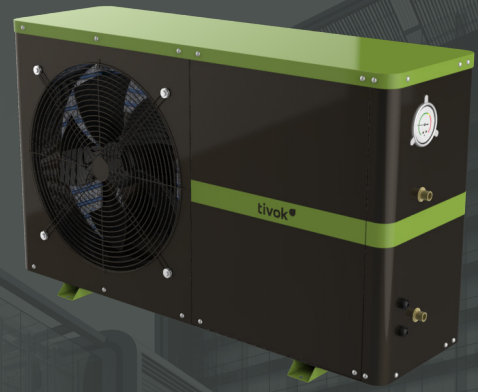


# T-HP72AB

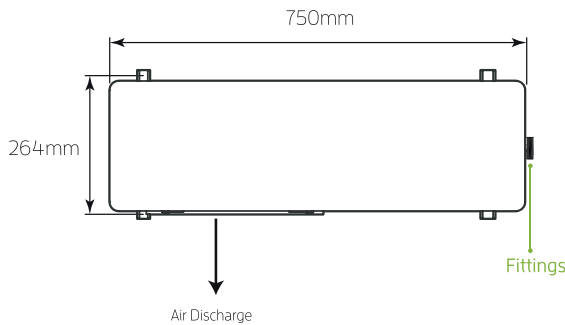
## 7.6KW HOT WATER HEAT PUMP

Heat Pumps are the workhorse of the Tivok Energy Thermal System. Heat Pumps utilise the heat energy in the air to heat water at an energy efficiency greater than 4 times\*<sup>1</sup> that of conventional electric or gas heaters. Not suitable for swimming pool heating.

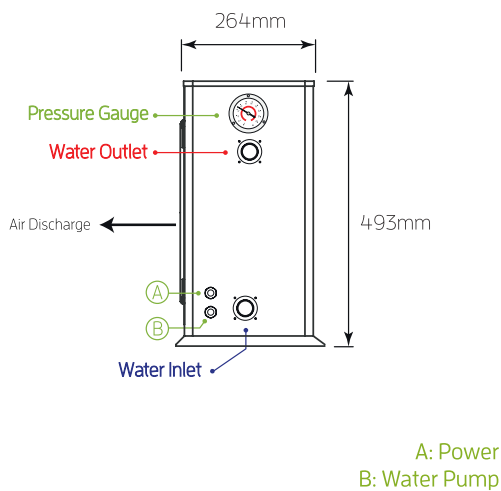


### TECHNICAL DRAWING

Plan View



Side View



### SPECIFICATIONS

### T-HP72AB

Default Water Temp / Max Water Temp	55°C	60°C
Working Ambient Temperature Range	-15°C~43°C	
Min / Recommended Water Flow Rate	1.2m <sup>3</sup> /hour	2.3m <sup>3</sup> /hour
Hot Water Yield* <sup>1</sup>	163 L/hour	
Water Pressure Loss / Max Water Pressure	20.2kPa	4.2MPa <sub>g</sub>
Heating Output* <sup>1</sup> / Power Input (With Pump)* <sup>1</sup>	7.6kW	1.79kW
Coefficient of Performance (COP)* <sup>1</sup>	4.25	
Max Current / 55°C Running Current	12.4A	8.2A
Starting Current	35A	
Water Circulation Pump	Grundfos UPS-15-60 CIL2	
Input Voltage / Frequency / Phase	220-240V-50Hz 1ph	
Heat Pump Unit Dimensions	750×264×493mm	
Packaging Dimensions	1080×380×755mm	
Net / Gross Weight	69kg	88kg
Outlet Fittings	DN20 BSP 3/4" Female	
Noise Level	<54 dB(A)	
Refrigerant	R-410A	
IP Rating	Outdoor Rated IPX4	
Electrical Protection	IEC Protection Class I	
Water Heat Exchanger Material / Type	Copper	Shell/Tube
Compressor Type / Brand* <sup>2</sup>	Rotary	Panasonic
Controller	Multifunction LCD Controller	

**5 YEARS  
PARTS WARRANTY**

