

T-PHP140AB

14KW SWIMMING POOL HEAT PUMP

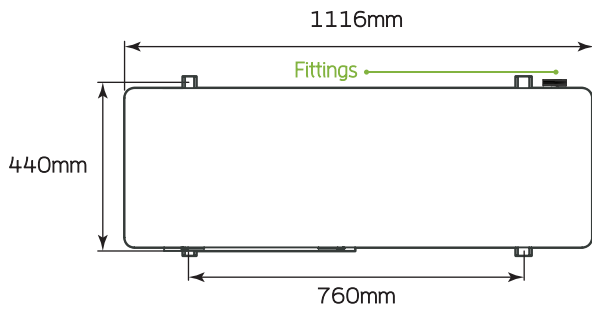
Tivok Swimming Pool Heat Pumps are an energy efficient way to heat and maintain comfortable swimming pool temperatures.

The heat pump heats chlorinated or salt water pools at an efficiency greater than 5 times^{*1} that of conventional electric or gas heaters.

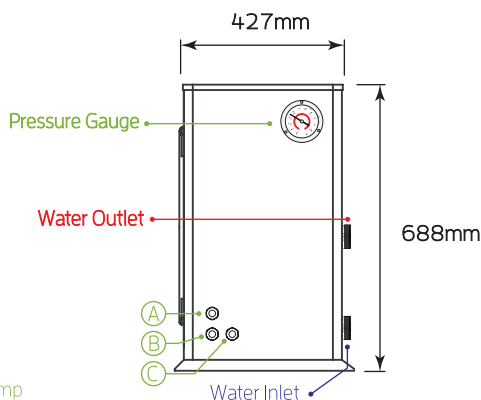


TECHNICAL DRAWING

Plan View



Side View



A: Power
B: Water Pump
C: Temperature Sensor Connection

**5 YEARS
PARTS WARRANTY**



**15 YEARS
TITANIUM HEAT EXCHANGER WARRANTY**

SPECIFICATIONS

T-PHP140AB

Maximum Recommended Pool Size* ²	65m ³	
Air Discharge Platform	Side Discharge	
Default Water Temp / Max Water Temp	28°C	43°C
Working Ambient Temperature Range	-5°C~43°C	
Min / Recommended Water Flow Rate	1.5m ³ /hour	4m ³ /hour
Water Pressure Loss / Max Water Pressure	25Pa	1MPa _g
Heating Output* ¹ / Power Input* ¹	14.0kW	2.61kW
Coefficient of Performance (COP)* ¹	5.35	
Max Current / Running Current* ¹	20A	12.5A
Starting Current	62A	
Input Voltage / Frequency / Phase	220-240V-50Hz 1ph	
Heat Pump Unit Dimensions	1116×425×686mm	
Packaging Dimensions	1250×505×825mm	
Net Weight/Gross Weight	85kg/107kg	
Outlet Fittings	DN40 PVC Female	
Noise Level (1m, 4m, 10m)* ³	52, 40, 32dB(A)	
Refrigerant	R-410A	
IP Rating	Outdoor Rated IPX4	
Water Heat Exchanger Material	Titanium	
Compressor Type/Brand* ⁴	Scroll	Sanyo
Controller	Multifunction LCD Controller	

*¹Based on ambient air temperature 24°C (DB)/19°C (WB), inlet water temperature 27°C

*²Assumes indoor pool with pool cover heated to 27 degrees, detailed system sizing should be conducted for all systems

*³Noise Level Standard: Noise from 1, 4 and 10 metres, as per the directives EN ISO 3741 & EN ISO 354

*⁴Compressor brand may vary