

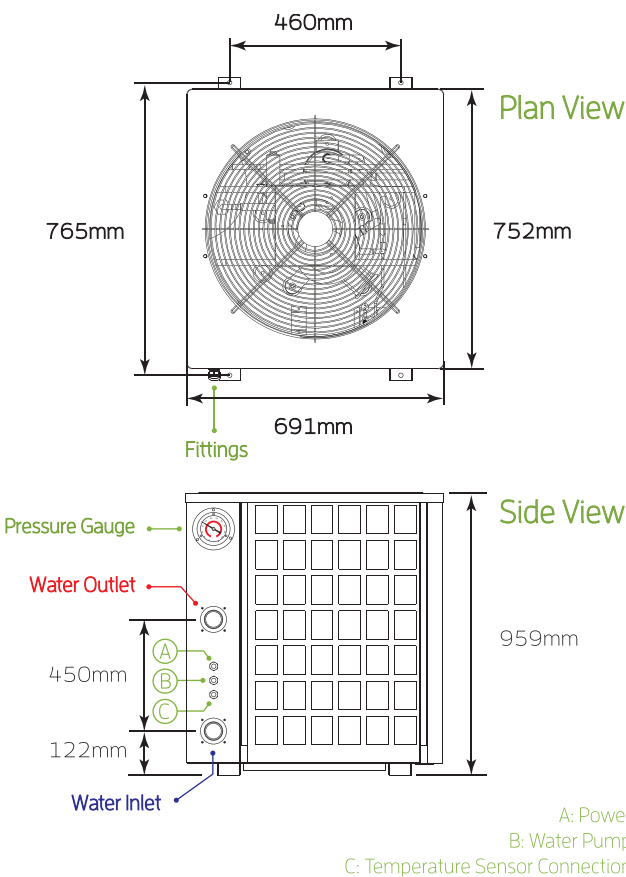
T-PHP200AB

20KW SINGLE PHASE POOL HEAT PUMP

Tivok Swimming Pool Heat Pumps are an energy efficient way to heat and maintain comfortable swimming pool temperatures. This Swimming Pool Heat Pump Operates from single phase power and heats chlorinated or salt water pools at an efficiency greater than 5 times*¹ that of conventional electric or gas heaters.



TECHNICAL DRAWING



SPECIFICATIONS

T-PHP200AB

Maximum Recommended Pool Size* ²	95m ³	
Air Discharge Platform	Top Discharge	
Default Water Temp / Max Water Temp	28°C	43°C
Working Ambient Temperature Range	-5°C~43°C	
Min / Recommended Water Flow Rate	1.5m ³ /hour	6.4m ³ /hour
Water Pressure Loss / Max Water Pressure	30kPa	1MPag
Heating Output* ¹ / Power Input* ¹	20KW	3.45KW
Coefficient of Performance (COP)* ¹	5.8	
Max Current / Running Current* ¹	30A	16.5A
Starting Current	41.5A	
Input Voltage / Frequency / Phase	220-240V-50Hz 1ph	
Heat Pump Unit Dimensions	752×691×959mm	
Packaging Dimensions	840×750×1100mm	
Net Weight / Gross Weight	116kg	138kg
Outlet Fittings	DN40 PVC Female	
Noise Level (1m, 4m, 10m)* ³	54, 42, 33dB(A)	
Refrigerant	R-410A	
IP Rating	Outdoor Rated IPX4	
Water Heat Exchanger Material	Titanium	
Compressor Type / Brand* ⁴	Scroll	Copefland
Controller	Multifunction LCD Controller	

**5 YEARS
PARTS WARRANTY**

**15 YEARS
TITANIUM HEAT EXCHANGER WARRANTY**