

# T-PHP260AB

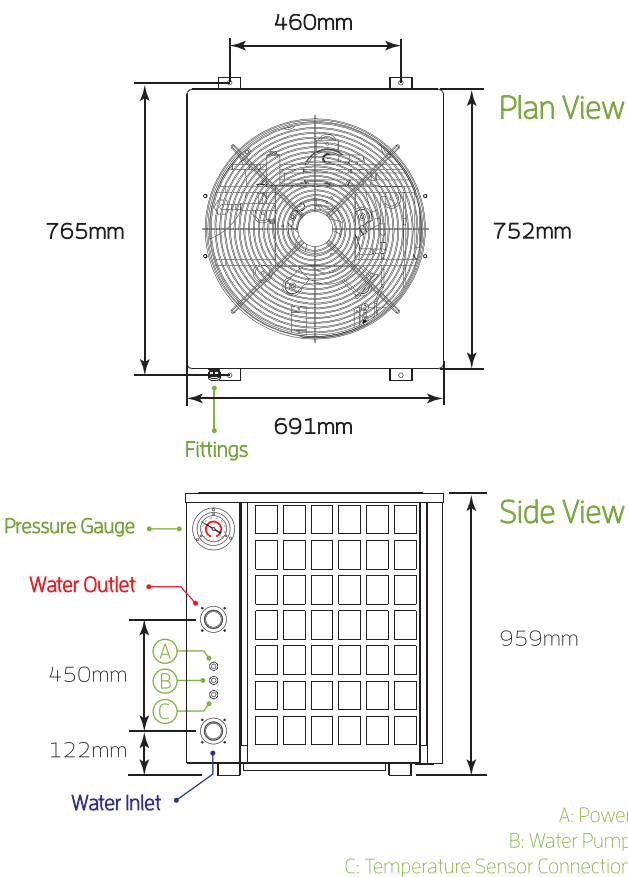
## 26KW SWIMMING POOL HEAT PUMP

Tivok Swimming Pool Heat Pumps are an energy efficient way to heat and maintain comfortable swimming pool temperatures.

The heat pump heats chlorinated or salt water pools at an efficiency greater than 5 times<sup>\*1</sup> that of conventional electric or gas heaters.



### TECHNICAL DRAWING



### SPECIFICATIONS

### T-PHP260AB

Maximum Recommended Pool Size* <sup>2</sup>	118m <sup>3</sup>	
Air Discharge Platform	Top Discharge	
Default Water Temp / Max Water Temp	28°C	43°C
Working Ambient Temperature Range	-5°C~43°C	
Min/Recommended Water Flow Rate	1.5m <sup>3</sup> /hour	7.5m <sup>3</sup> /hour
Water Pressure Loss / Max Water Pressure	35kPa	1MPag
Heating Output* <sup>1</sup> / Power Input* <sup>1</sup>	26kW	4.75kW
Coefficient of Performance (COP)* <sup>1</sup>	5.47	
Max Current / Running Current* <sup>1</sup>	14A	8.39A
Starting Current	39.5A	
Input Voltage / Frequency / Phase	380-415V-50Hz 3ph	
Heat Pump Unit Dimensions	752×691×759mm	
Packaging Dimensions	840×750×1100mm	
Net Weight / Gross Weight	124kg	146kg
Outlet Fittings	DN40 PVC Female	
Noise Level (1m, 4m, 10m)* <sup>3</sup>	54t, 44, 34dB(A)	
Refrigerant	R-410A	
IP Rating	Outdoor Rated IPX4	
Water Heat Exchanger Material	Titanium	
Compressor Type/Brand* <sup>4</sup>	Scroll	Sanyo
Controller	Multifunction LCD Controller	

5 YEARS  
PARTS WARRANTY



15 YEARS  
TITANIUM HEAT EXCHANGER WARRANTY