

# T-T420A-B/S

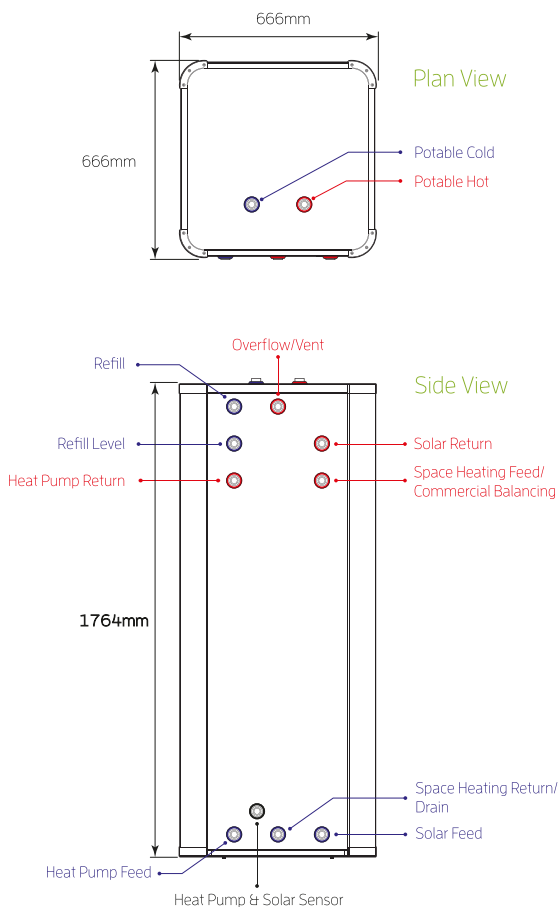
## 420 LITRE ENERGY BANK

The Tivok Energy Bank is a safe, non-pressurised, highly insulated energy storage unit helping to get the most out of a thermal system through the combination of vented and heat exchange technology.

A large number of ports ensures versatility and suitability for use for multiple applications including services hot water and hydronic heating.



### TECHNICAL DRAWING



### SPECIFICATIONS

### T-T420A-B/S

Capacity	420L
External Dimensions	666 x 666x1764mm
Inner Tank Dimensions	528x528x1641mm
Packaging Dimensions	720x720x1800mm
Net Weight	71kg
Filled Weight	491kg
Max Potable Water Supply Pressure	1650kPa
Thermal Water Fittings	DN20 BSP 3/4" Female
Potable Water Heat Exchanger Type	Coiled Corrugated Tube
Potable Water Heat Exchanger Material	304 Stainless Steel
Inner Tank Material	304 Stainless Steel
Insulation Material/Thickness	Polyurethane 60mm
Outer Tank Material	Aluminium plastic composite
Colour	Black (B)      Silver (S)

**15 YEARS  
PARTS WARRANTY**

